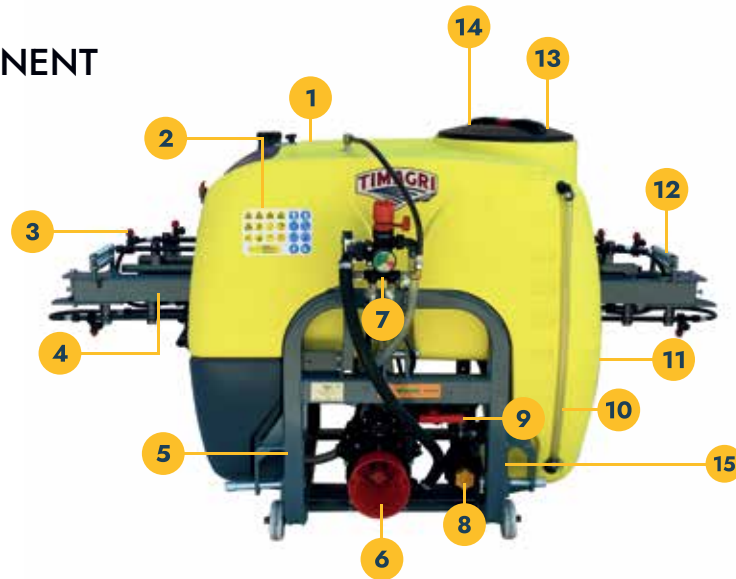
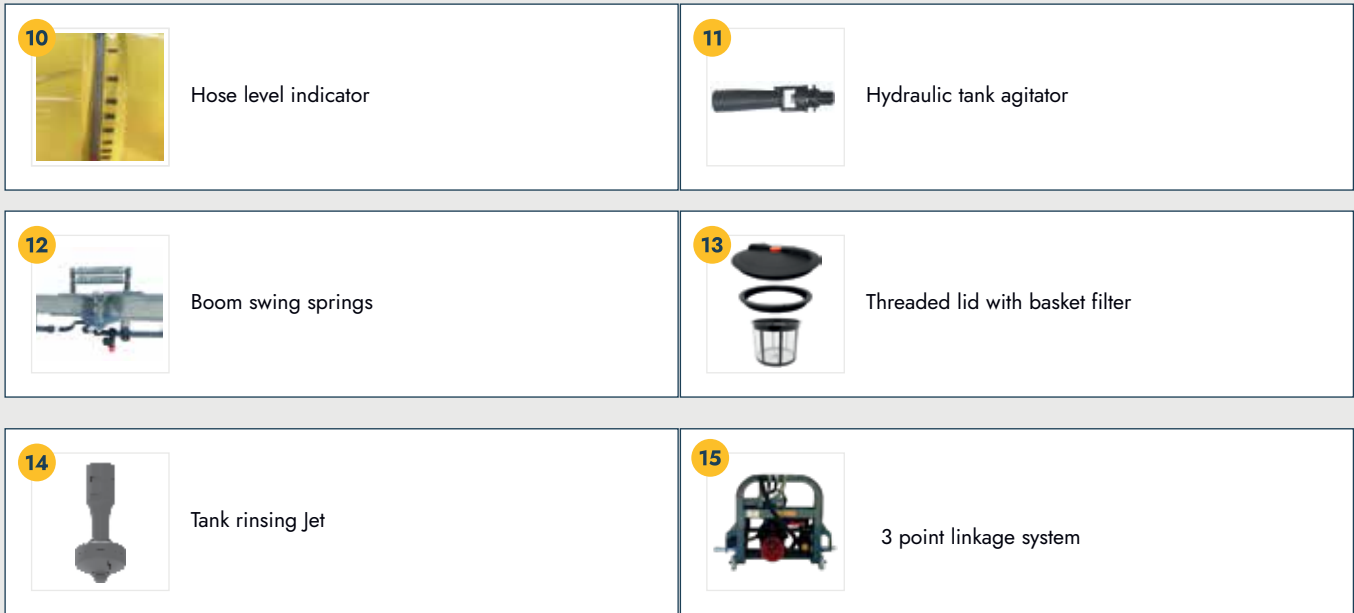


Tractor-mounted sprayers equipped with low-pressure pump, 12 m mechanical boom, and three-point linkage that is for small size tractors, horticultural growers, and for small area farmers.

## PRODUCT COMPONENT



<p><b>1</b></p>  <p>UV polyethylene tank equipped with clean &amp; hand washing features</p>	<p><b>2</b></p>  <p>Warning label</p>
<p><b>3</b></p>  <p>Arag Uni-Jet Nozzle</p> <p>Arag single nozzle 50cm nozzle spacing 20mm clamp/7mm hole diameter</p>	<p><b>4</b></p>  <p>12m Manual opening and closing boom with 12m piping and hoses. Prepared with 3 sections</p>
<p><b>5</b></p>  <p>Agrotop Airmix Anti-Drift Nozzle-Red</p> <p>Anti-drift air induction nozzles increase droplet size reducing drift</p>	<p><b>5</b></p>  <p>Steel gray painted</p>
<p><b>6</b></p>  <p>Annovi Reverberi AR 135 BP C pump with a flow rate of 128l/min &amp; 20 bar pressure</p>	<p><b>7</b></p>  <p>Annovi Reverberi UCM 4 control unit</p>
<p><b>8</b></p>  <p>160 l/min Suction filter with check valve</p>	<p><b>9</b></p>  <p>3 way ball valve</p>



## SPECIFICATIONS

CODE	TANK L	PUMP	NOZZLE	BOOM	TRACTOR HP	CONTROL UNIT
TIMFA101	600 L	AR 135	Arag Unijet 24 Unit	12m	50	AR UCM 4
TIMFA601	800 L	AR 135 /128 l/min	25 Unit	12m	70	UCM 4 Control Unit